

NEW

# SURGmatic S201 XL Pro

Authentic KaVo: Boundless power.



**KAVO**  
Dental Excellence

# Smart implantology: the optimized clamping system.

For more than 100 years, KaVo has stood for first-class instruments constructed with the best materials. Made in Biberach. The demand: Dental Excellence. With its new generation of SURGmatic instruments, KaVo is setting new standards in this premium segment and, as you would expect, meets the highest requirements in terms of performance, handling, and durability. Authentic KaVo.

NEW

## SURGmatic S201 XL Pro: designed to last thanks to the hexagon.

With the newly developed hexagonal clamping system the strain on the instruments and shafts during treatment is reduced. This increases the number of treatment cycles to more than 2,000. That is considerably more than the market average.

### New hexagonal clamping system Hexagon

Uniform distribution of the forces acting on various stress-bearing areas to avoid jamming tool shafts

### Optical fibre

For reliable viewing of the surgical field

### EXPERTgrip

For improved grip, comfort and hygiene

### Can be disassembled

Head removable from base, easy to clean

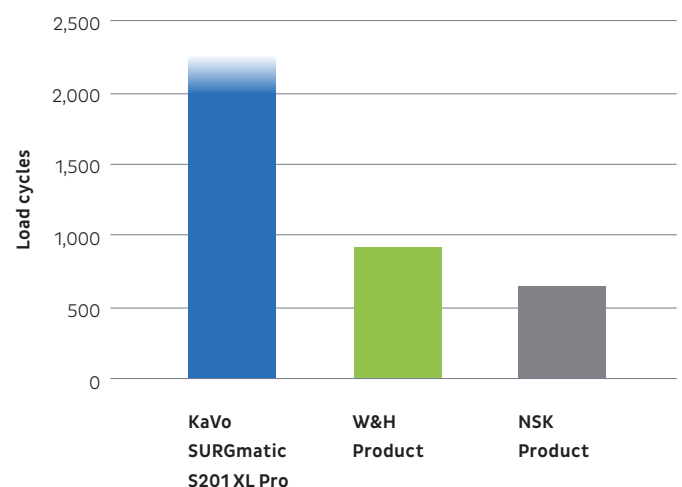
### Cooling

External and internal cooling according to Kirschner and Meyer



### Product comparison test performed at maximum torque of 80 Ncm:

- Test performed to failure on three sets of products from mass production
- The mean number of torque loading cycles until failure is shown
- Test stopped at 2,000 cycles
- Instruments being tested are exposed to strain using a test bench set-up which realistically simulates the luxation process of implants with regard to the torque load



NEW

## SURGmatic S201 XL Pro and S201 L Pro: Optimal clamping.

The compressive load on individual zones is distinctly reduced by optimization of the torque transfer surface. This results in demonstrably improved instrument and tool service life.

### Optimized clamping system

To avoid interfering with tool shafts

### Optical fibre

For reliable viewing of the surgical field

### EXPERTgrip

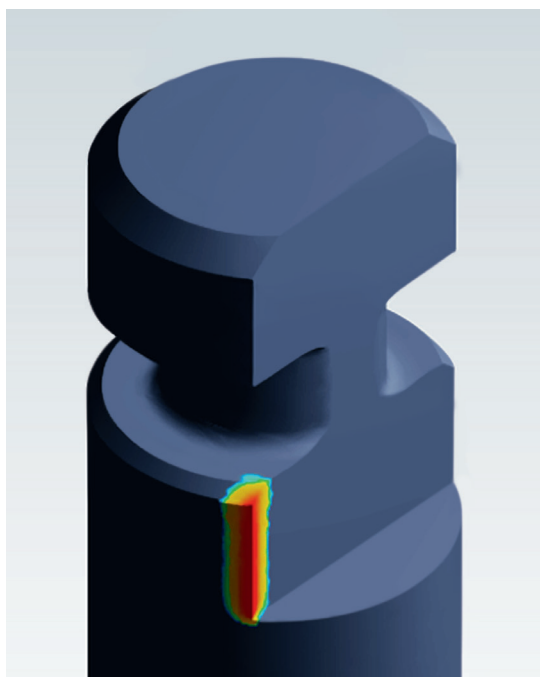
For improved grip, comfort and hygiene

### Can be disassembled

Head removable from base, easy to clean

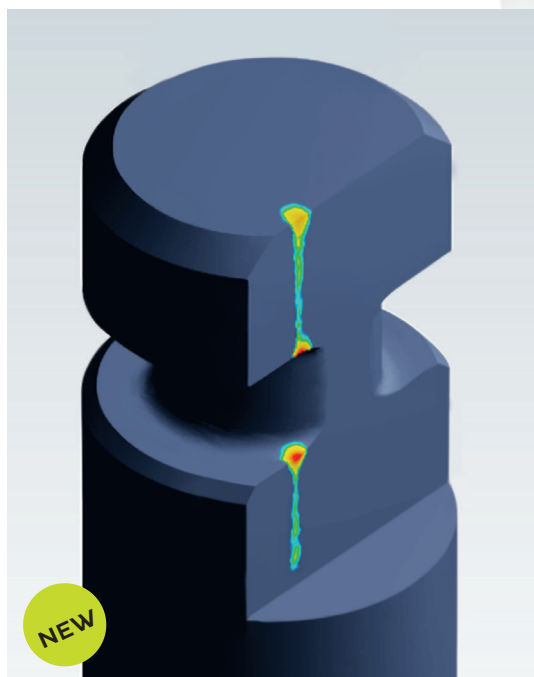
### Cooling

External and internal cooling according to Kirschner and Meyer



S201 L and S201 XL:

High loads on the edge of the tool can result in significant deformation. This results in shaft interference in the clamping system.



S201 L Pro and S201 XL Pro:

Distribution of the torque over a larger area results in less deformation of the tool edge, and in addition, the strain is shifted from the edge of the shaft in the direction of the middle-of the axis. In this way, deformation of the shaft is prevented.

# Technical Specifications

	MASTERSurg LUX Wireless	EXPERTSurg LUX	SURGmatic S201 XL Pro	SURGmatic S201 L Pro	SURGmatic S11 L	Tubing set sterile S600	SURGmatic Head S201 XL Pro	SURGmatic Head S201 L Pro
<b>Torque</b>	80 Ncm	80 Ncm	80 Ncm	55 Ncm	5.5 Ncm	-	n/a	n/a
<b>Gear reduction</b>	n/a	n/a	20:1	20:1	1:1	-	n/a	n/a
<b>Light</b>	Yes	Yes	Yes	Yes	Yes	-	n/a	n/a
<b>Hexagonal clamping system</b>	n/a	n/a	Yes	No	No	-	Yes	n/a
<b>max. drive rotation speed</b>	40,000 rpm	40,000 rpm	40,000 rpm	40,000 rpm	40,000 rpm	-	n/a	n/a
<b>Material number</b>	1.009.1200	1.008.3500	1.013.7541	1.013.7540	1.009.1010	1.009.8757	1.013.8662	1.013.8648
<b>Description</b>	Complete surgery kit includes: surgery motor INTRA LUX S600 LED, wireless, multi-function foot control, motor power for S600 LED, start up hose set (5 off), motor and instrument holder, bottle holder, integrated hose pump and power supply	Complete surgery kit includes: surgery motor INTRA LUX S600 LED, multi-function foot control (cable length 2.5m), motor power for S600 LED, start up hose set (5 off), motor and instrument holder, bottle holder, integrated hose pump and power supply	Strain capacity up to 80 Ncm with Hexagon-clamping system, optimised clamping system to avoid jamming of tool shafts, optimised gearing and ball bearings for long useful life, separable into head and base-parts, EXPERTgrip for optimized strength- and hygiene, external coolant connection	Optimized clamping system to avoid jamming of tool shafts, optimized gearing and ball bearings for high useful life, separable into head and base parts, EXPERTgrip for optimised grip strength and hygiene, external coolant-connection	EXPERTgrip for optimised grip strength and hygiene, for handpiece drills with standard length of 44.5 mm, external coolant-connection	Sterile single-use coolant tubing (10 pieces)	Separate head, compatible only with SURGmatic S201 XL Pro	Separate head, compatible only with SURGmatic S201 L Pro

## Accessories

The system concept is written in capital letters here: to make your everyday practice as comfortable as possible, we are mindful of frictionless compatibility of our products.



### KaVo MASTERSurg

Optimised comfort and performance thanks to intuitive, freely positioned wireless foot-control and data documentation recorded with real-time high quality colour graphic torque display.



### Kavo EXPERTSurg

Rely on high performance with 80 Ncm torque on the instrument and save time thanks to intuitive programming of your working steps and parameters.

The products, equipment and services illustrated and described in this catalogue are not available in all countries. All information conforms to knowledge at the time of printing. KaVo Dental GmbH accepts no liability for any deviation from the illustrations in terms of colour or shape, or any errors or print errors and retains the right to make changes to the prospectus at any time. Full or partial reprinting is only permitted with permission from KaVo Dental GmbH.

Mat.-No. 90087774 de © Copyright KaVo Dental GmbH.